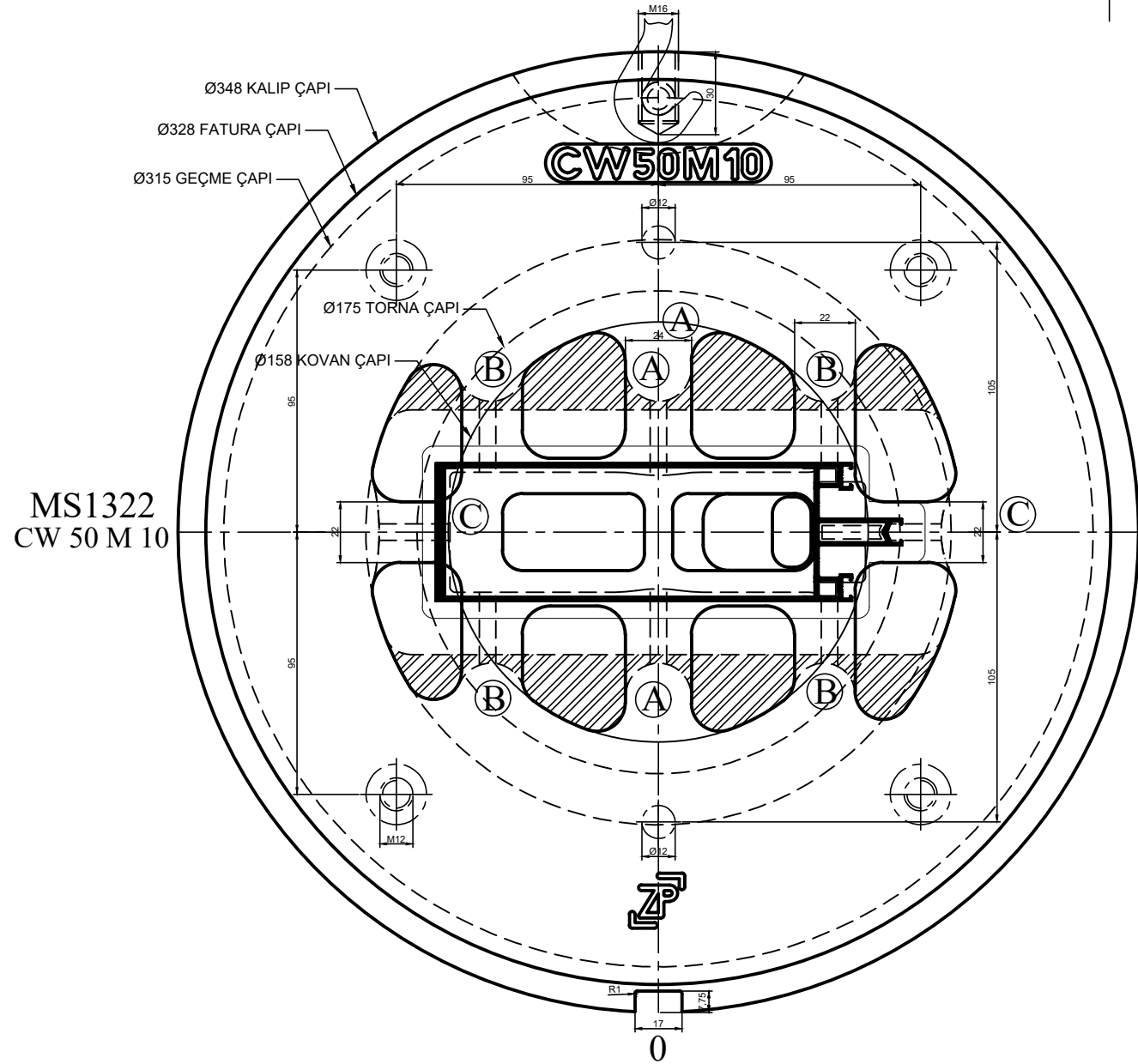
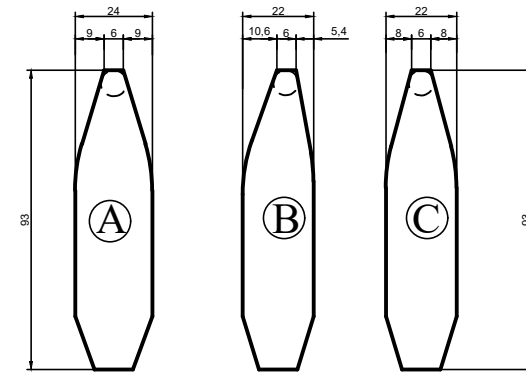
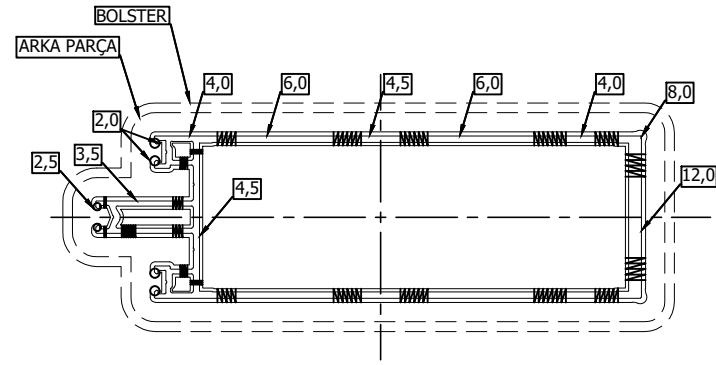
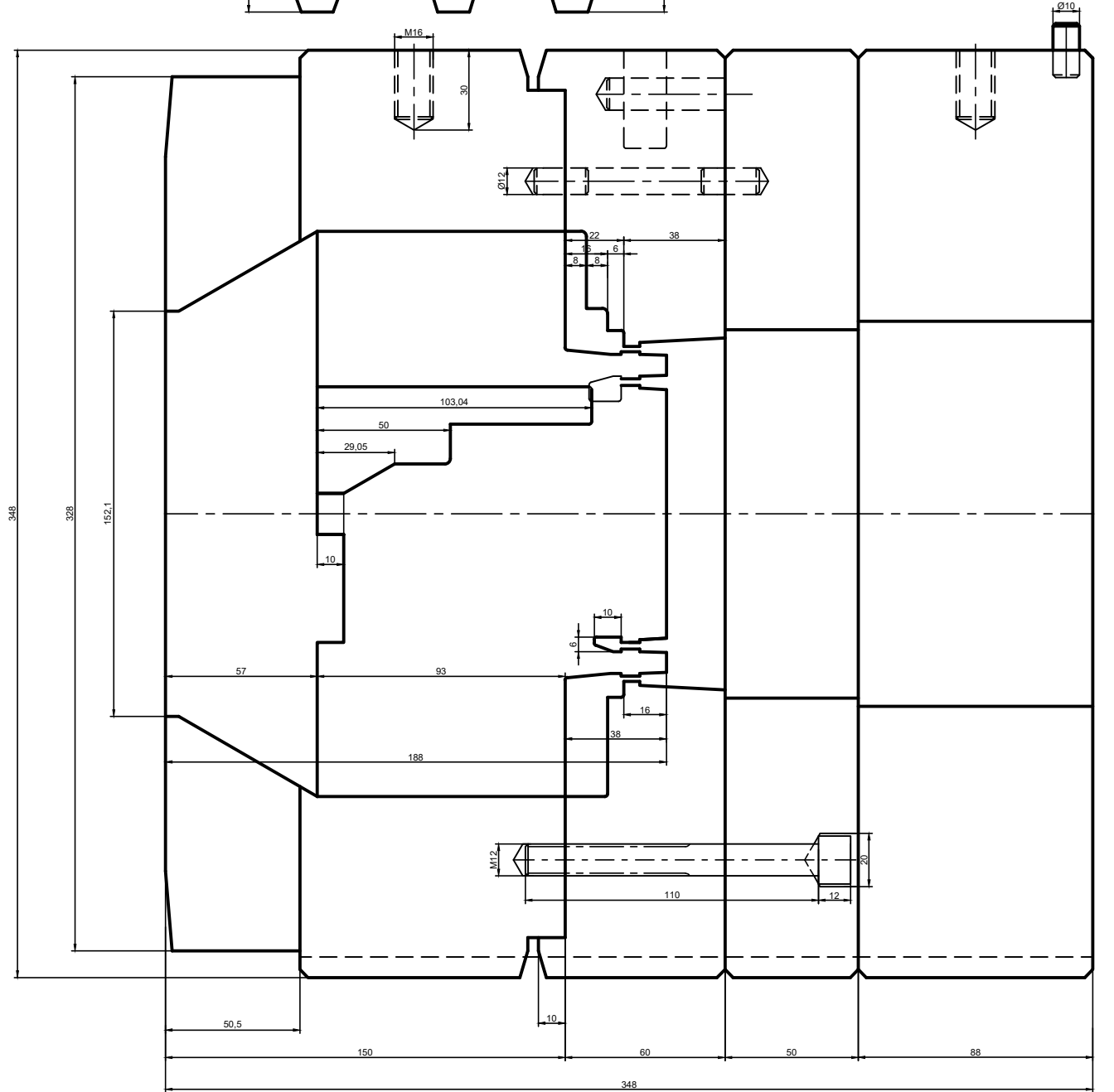




Approved Company



1. 2344  
2. 2714



KALIP NO DİES NO	MS1322	TOLERANCE TOLERANS	TSE 755-9
CUSTOMER MÜŞTERİ	1000-25	ALLOY ALAŞIM	6063
CUSTOMER NO MÜŞTERİ NO	CW 50 M 10	PORTOL ZİVANA	Ø 348 X 150 (190)
PRESS PRES	TON1350	DIE KALIP	Ø 348 X 60 (70)
CONTAINER KOVAN	158 Ø	BACKER A.PARÇA	Ø 348 X 88
		DATE TARİH	24.02.2020
		NAME ÇİZEN	PINAR YURDAER
		CONTROL KONTROL	ZAFER YURDAER

①  
2344  
47-49 HRC

②  
2344  
47-49 HRC

③  
2714  
47-49 HRC